

MONROE HYDRAULIC IMPLEMENT LIFT

FOR

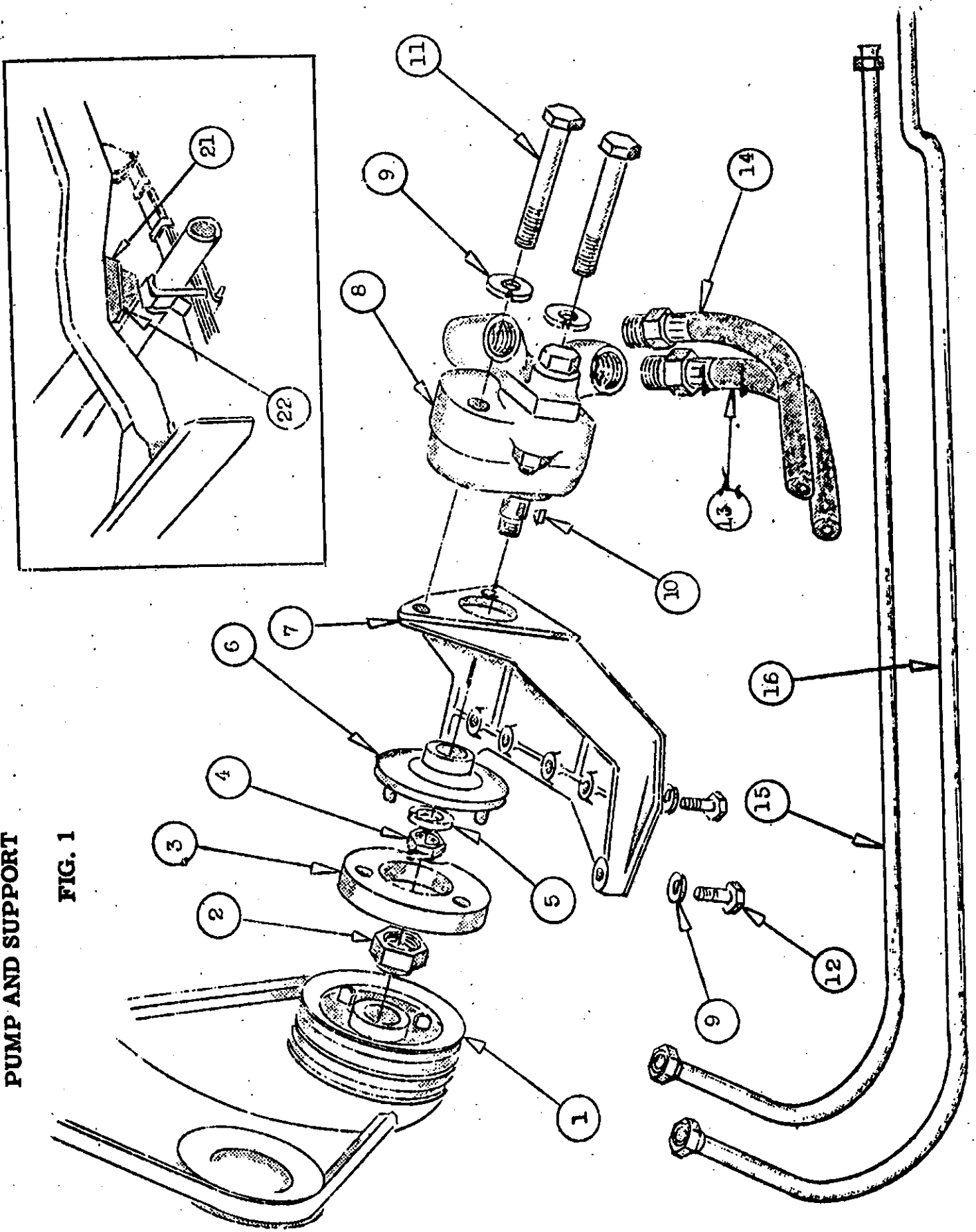
THE WILLYS CIVILIAN JEEP

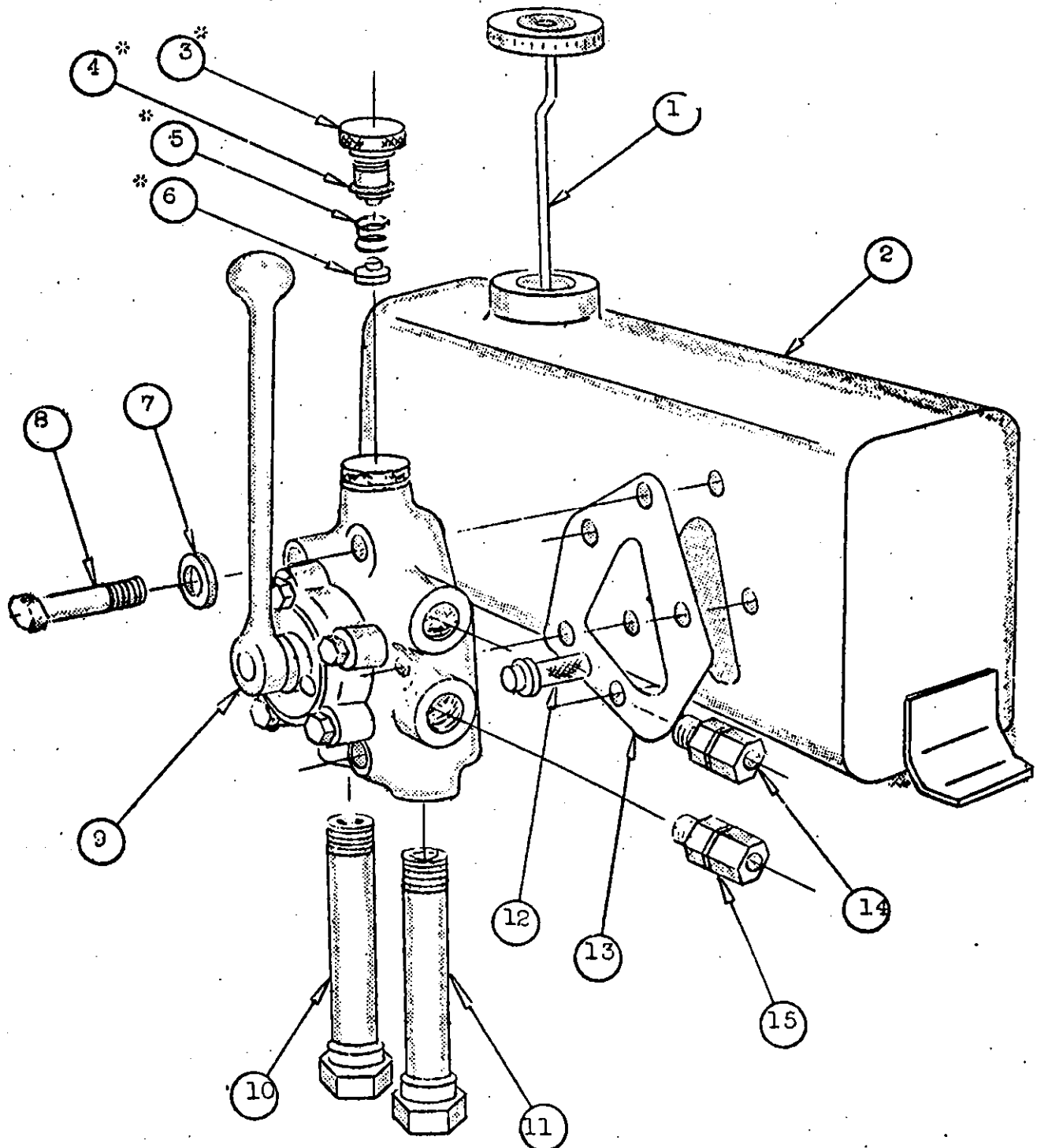
MODELS CJ-2A AND CJ-3A PARTS LIST

**WILLYS-OVERLAND MOTORS, INC.
TOLEDO, OHIO U.S.A.**

PUMP AND SUPPORT

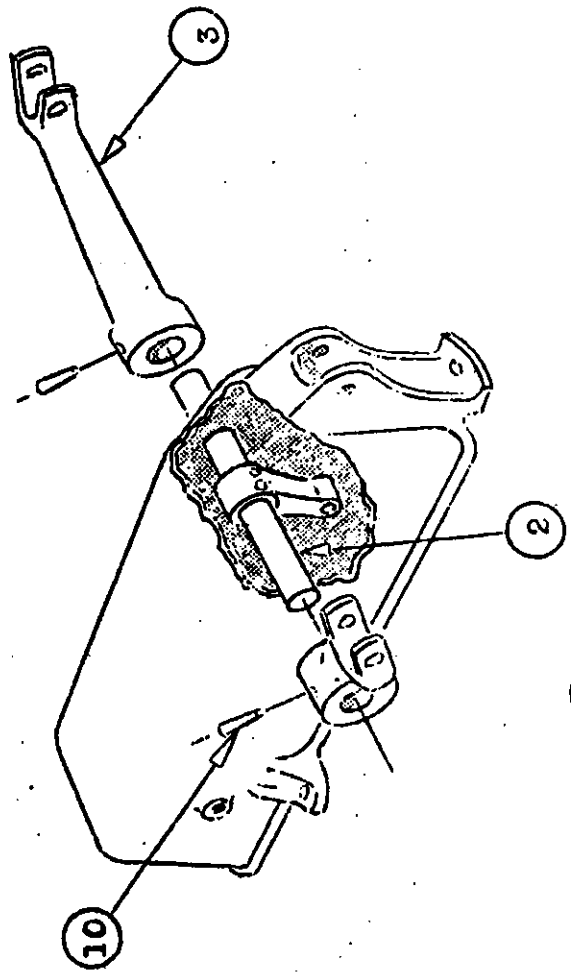
FIG. 1





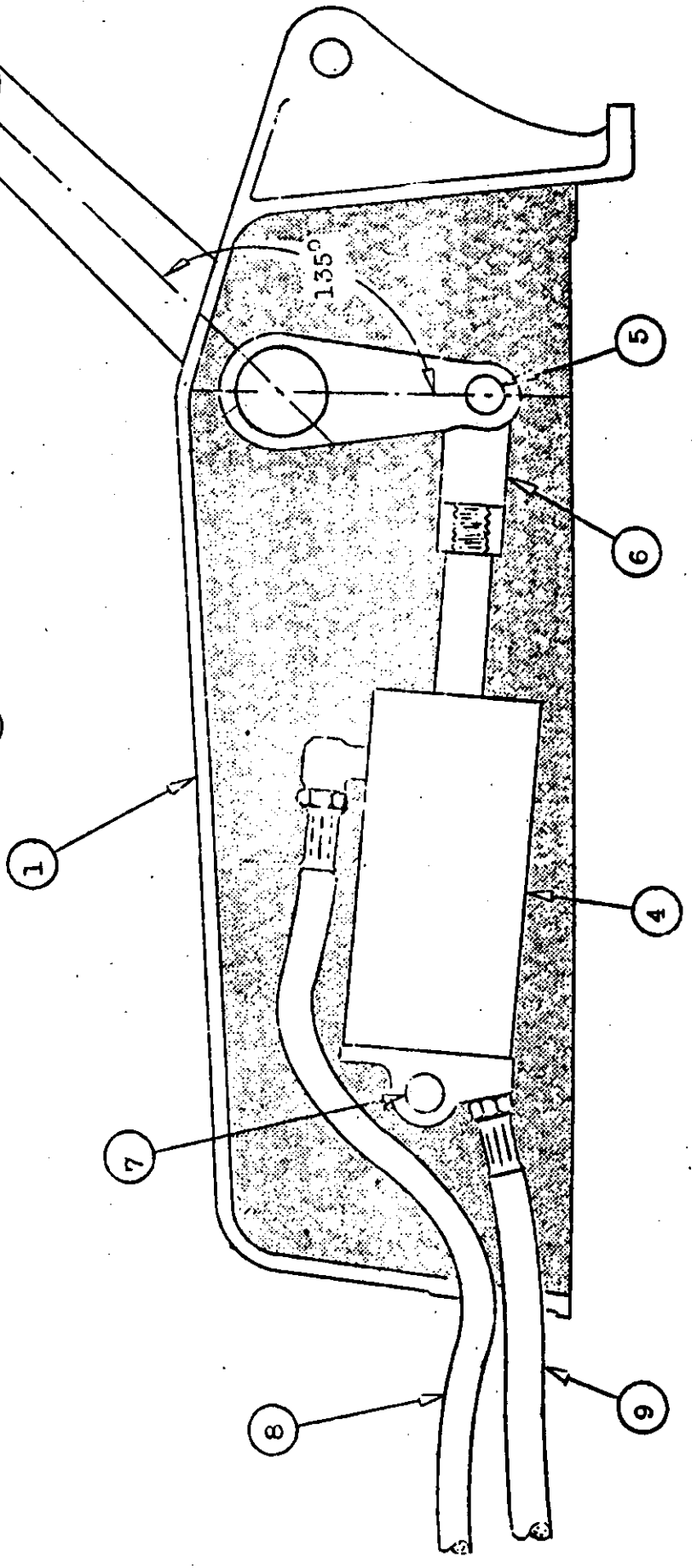
*Part of Valve Assembly
TANK AND VALVE ASSEMBLY

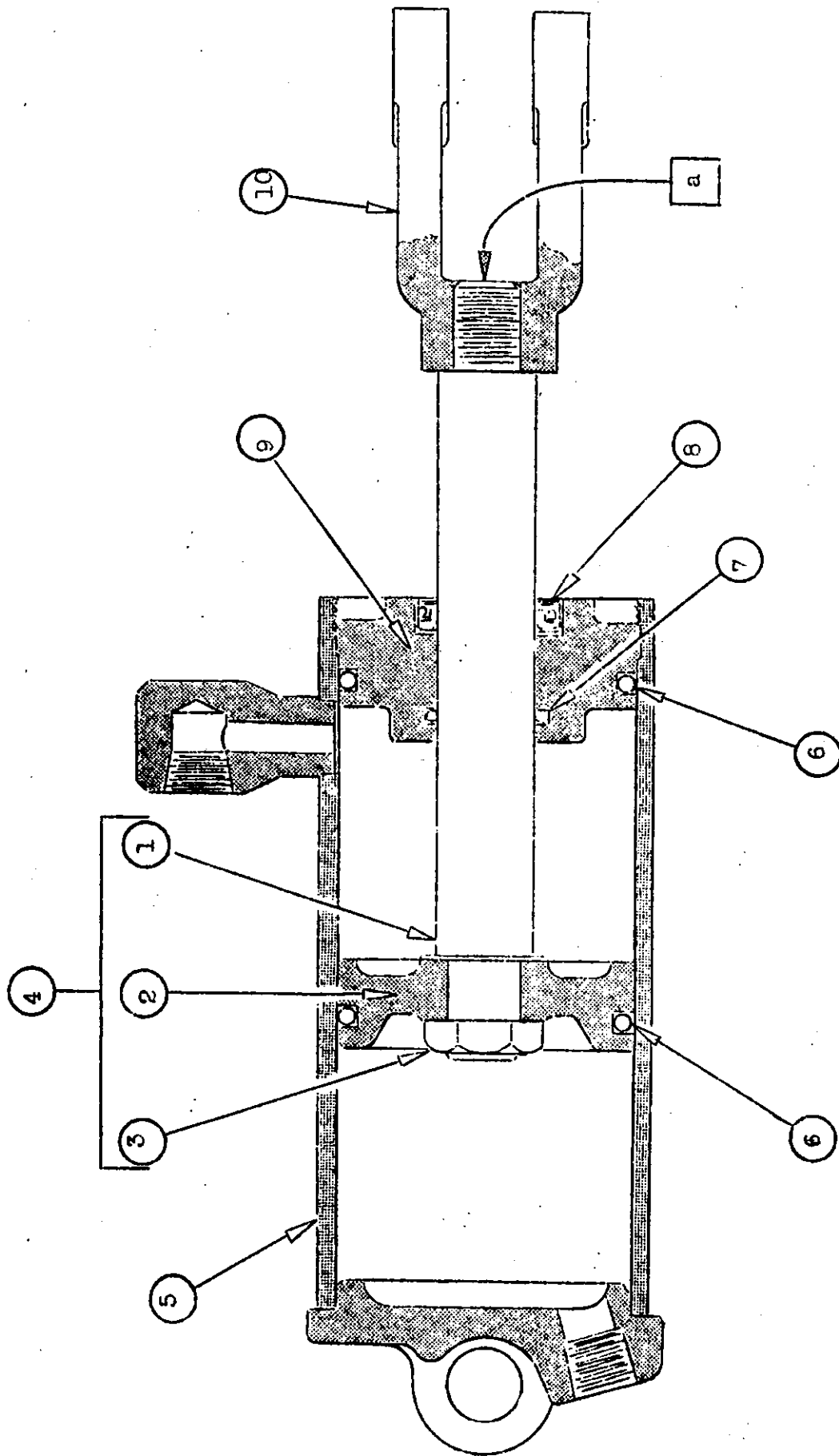
FIG. 2



CYLINDER AND HOUSING

FIG. 3



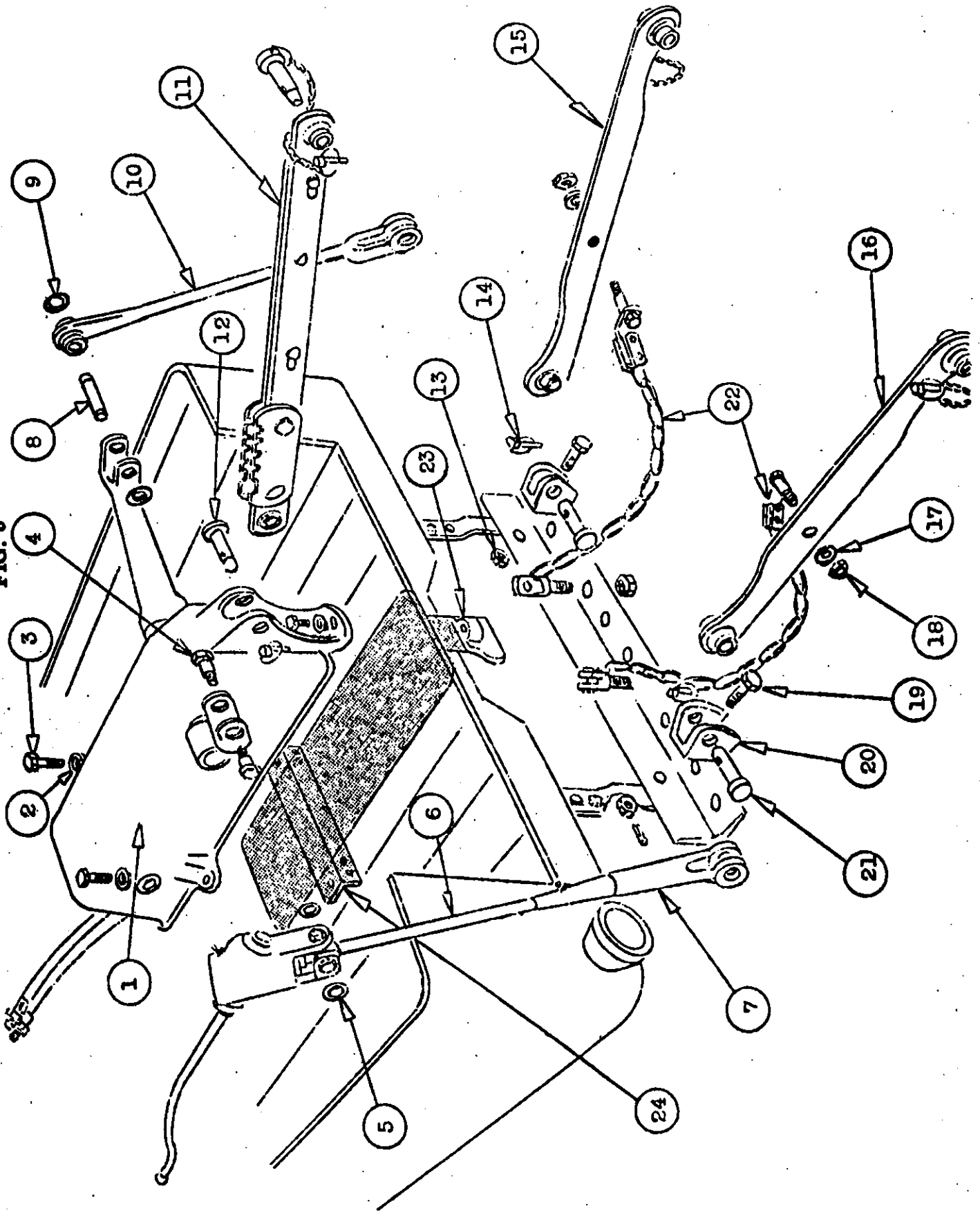


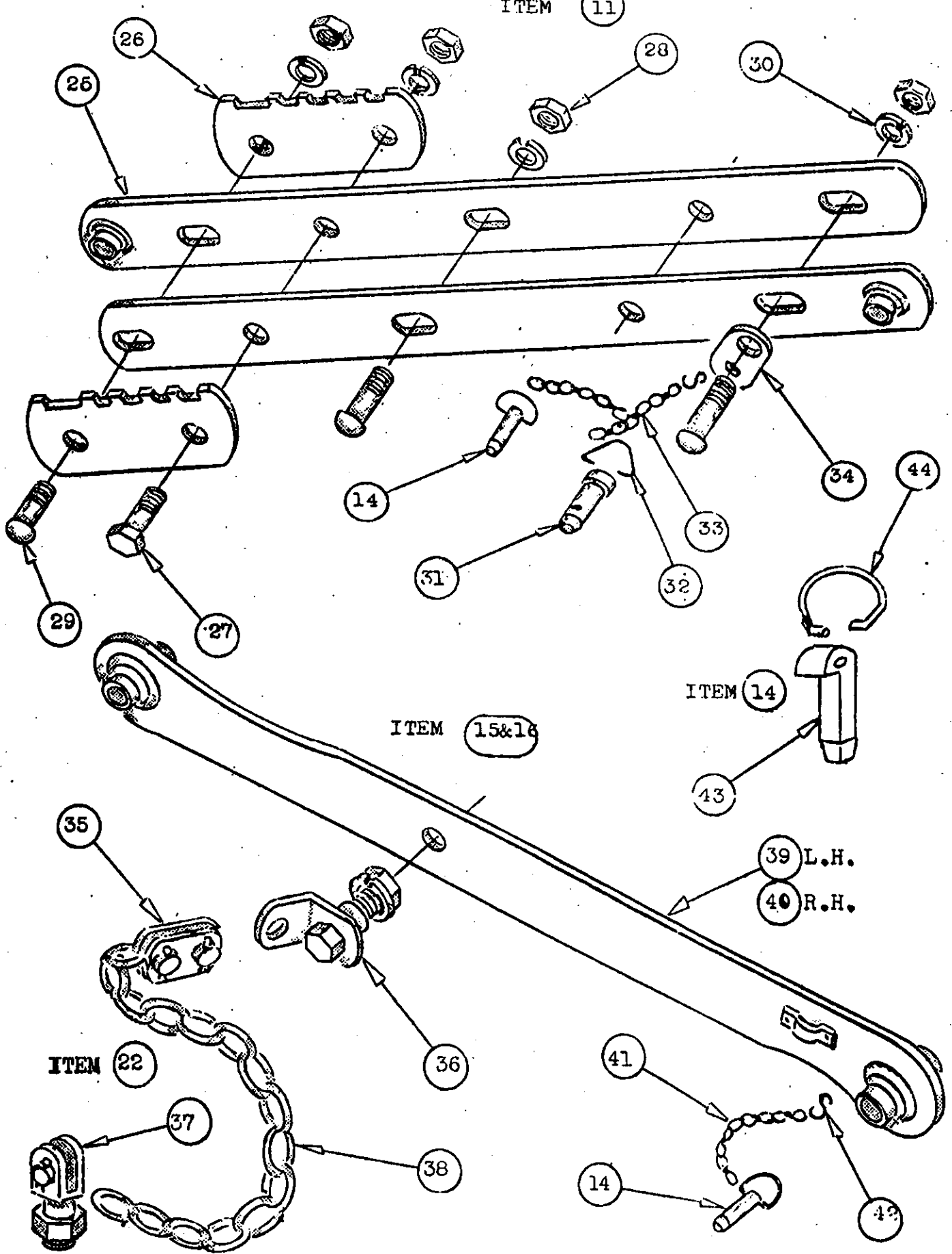
HYDRAULIC CYLINDER ASSEMBLY

FIG. 4

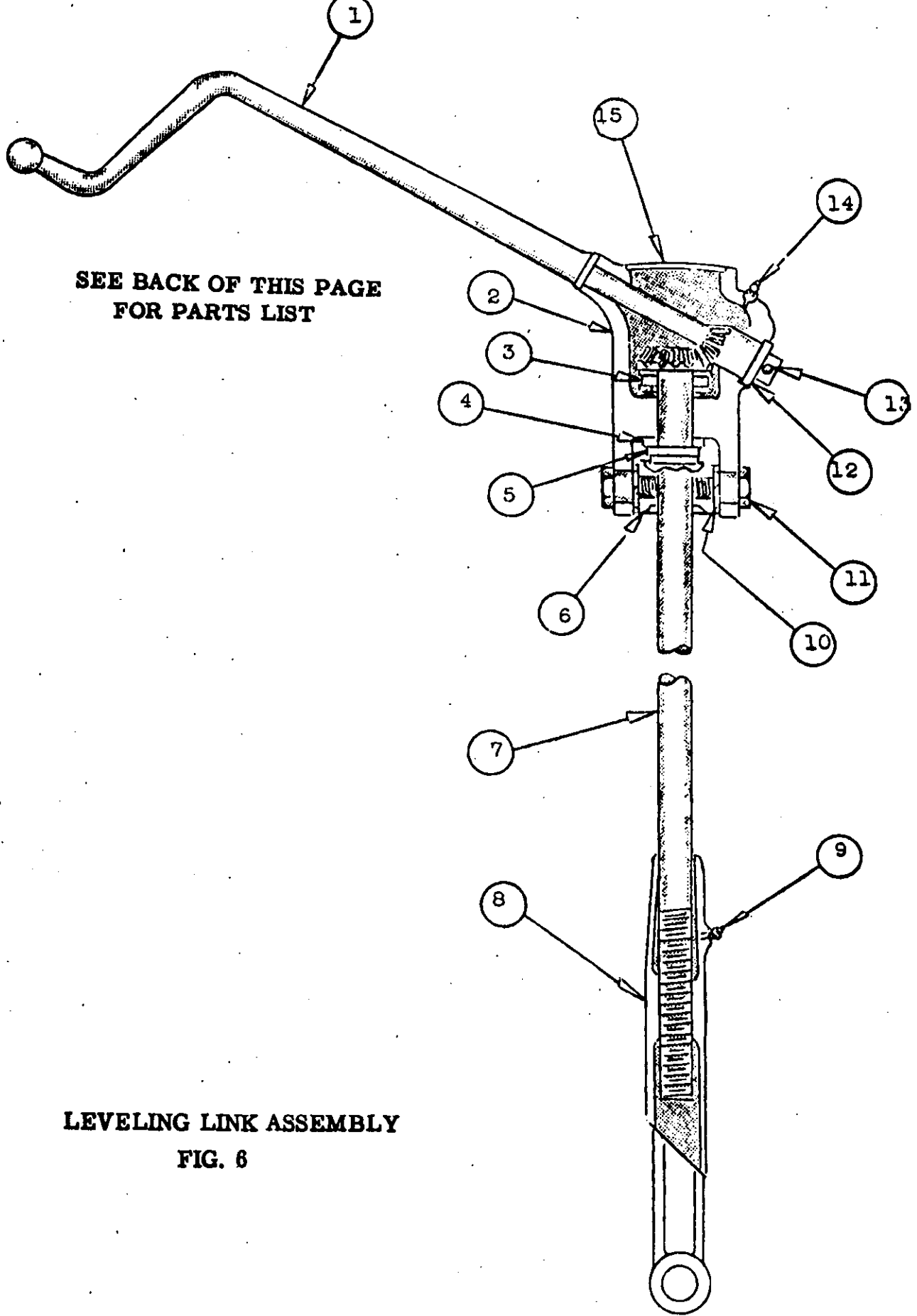
LINKAGE AND CYLINDER MOUNTING

FIG. 5





**LEVELING LINK AND FORK
FIG. 5A**



SEE BACK OF THIS PAGE
FOR PARTS LIST

LEVELING LINK ASSEMBLY
FIG. 6

Serviceable Components for Hydraulic Power Lift

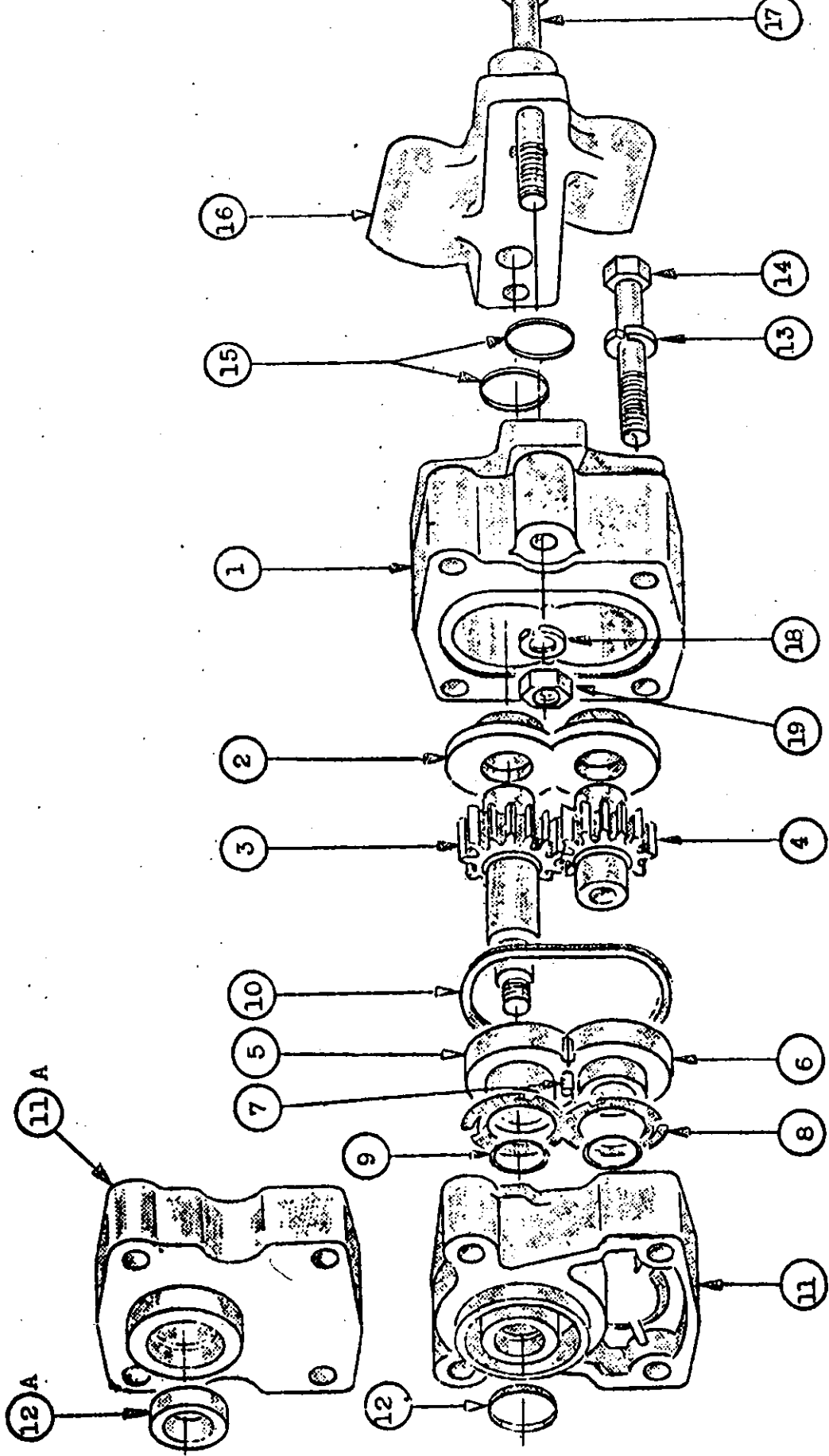
Fig. No.	Ref. No.	W. O. Part No.	Monroe Part No.	Description	Quan.
6		646651	60446	Link and Fork, leveling, assembly <u>Serviceable components of leveling link</u>	1
6	3	647386	60454	Bearing	1
		647390	60458	Block, pivot	1
6	6	646631	60459	Bolt, shoulder	2
6	11	638792	GM-110347	Fitting, lubricating	1
		647391	60460	Fork	1
6	8	647387	60455	Gear	1
6	7	647383	60450	Handle	1
6	2	647381	60447	Housing	1
		647380	60584	Link, leveling, assembly	1
6	10	GM-138559		Lockwasher	2
6	13	647385	60453	Pin	1
6	12	647384	60452	Pinion	1
6	15	647382	60448	Plug, welsh	1
6	5	647389	60457	Snap Ring	1
6	4	647388	60456	Washer	1

5	17	53044	GM-123153	Lockwasher, 7/16"	4
5	13	GM-427634	17-650	Nut, hex., 5/8-18	2
5	18	52164	GM-115730	Nut, hex., 7/16"-20	3
5	21	646637	60463	Pin	2
5	8	646632	60499	Pin	1
5	13	GM-107643	17-649	Pin, cotter, 5/32" x 1-3/8"	2
5	14	646635	60495	Pin and Ring, assembly	3

				<u>Serviceable components of pin and ring</u>	
5A	43	647374	60437	Pin	3
5A	44	647375	60438	Ring	3
		117918	60655	Oil Seal	1

1		646648	60211	Pump and support, assembly <u>Serviceable components of pump and support assembly</u>	1
		GM-214122		Bolt, hex. hd., 3/8"-24 x 3"	2
		5901	GM-103026	Nut, hex., 3/8"-24	
		5010	GM-103321	Lockwasher, 3/8"	2
1	7	647370	60525	Bracket, support, pump	1
1	11	GM-428417		Bolt, hex. hd., 5/16"-18 x 2-1/2"	2
		GM-112723	17-181	Lockwasher, 5/16"	2
1	6	647371	60530	Driver, pump, assembly	1
1	4	54134	GM-124925	Nut, jam, 3/8"-24, light	1
1	5	5010	GM-103321	Lockwasher, 3/8"	1
		53383	GM-106749	Key, woodruff	1

-continued-



PUMP AND MANIFOLD
FIG. 7

Hydraulic Pump and Implement Lift for
Civilian Jeep Models CJ-2A and CJ-3A

Fig. No.	Ref. No.	W.O. Part No.	Monroe Part No.	Description	Quan.
		646377	60003	Kit, hydraulic pump and implement lift, complete	1
		646676 646675	60001 60002	Consists of: 1 Lift, power, complete 1 Unit, hydraulic, complete	
		646676	60001	Lift, power, complete	
5	24	646645 53143 52164 53044 53050	60502 17-331 17-110 17-177 17-672	Consists of: 1 Angle, mounting, assembly 1 Bolt, hex. hd., 7/16"-20 x 1" 1 Nut, hex., 7/16"-20 1 Lockwasher, 7/16" 2 Bolt, 5/16"-24 x 1" hex. hd. (Mounting angle to frame)	
5	4	646631	60459	2 Bolt, shoulder, 5/8"-18 x 3/4" O.D. shoulder	
5	5	GM-138559	17-647	2 Lockwasher, 5/8" int., for shoulder bolt	
5	22	646657	60563	2 Chain, limit, power lift, assy.	
5	20	646641	60461	2 Clevis, mounting, lower	
5	19	646655		2 Bolt, hex. hd., 5/8"-18 x 1-1/2", drilled	
5	13	GM-427634	17-650	2 Nut, hex., 5/8"-18, slotted	
5	13	52944	17-649	2 Pin, cotter, 5/32" x 1-3/8" (Clevis mounting to draw bar)	
5	1	646650	60203	1 Cylinder and housing, power lift assembly	
5	3	646654	60503	3 Bolt, hex. hd., 1/2"-13 x 1-3/4"	
5	2	GM-123174	17-18	3 Lockwasher, 1/2" (Cyl. & hsg. to mtg. bracket)	
		646696 N.P.N.		1 Drawing, installation, power lift 1 Instrument, body drilling for power lift	
5	16	646661	60430	1 Link, power lift, lower left assy.	
5	15	646662	60443	1 Link, power lift, lower rt. assy.	
5	11	646646 646651	60433 60446	1 Link, power lift, upper, assy. 1 Link and fork, leveling, assy.	
5	21	646637	60463	2 Pin, clevis, power lift draw bar	
5	12	646636	60439	1 Pin, power lift, upper	
5	8	646632	60499	1 Pin, upper lifting link	
5	14	646635	60495	3 Pin and ring, power lift, assy.	

-continued-

Serviceable Components for Hydraulic Power Lift

Fig. No.	Ref. No.	W. O. Part No.	Monroe Part No.	Description	Quan.
3	4	647334	60202	Cylinder assembly <u>Serviceable components of cylinder assembly</u>	1
4	10	117326	60400	Clevis	1
4	9	117321	60205	Guide, rod, assembly	
4	6	117323	60403	"O" Ring	2
4	7	117324	60404	"O" Ring	1
4	2	117318	60406	Piston	1
4	1	117319	60401	Rod	1
		117916	60650	Kit, seal and seal ring (For Hydraulic system)	1
			60652	Consists of:	
		117521	60529	2 "O" ring, bearing seal	
			60651	2 "O" ring, manifold seal	
			60653	1 "O" ring, shaft ring	
		117278	60494	1 Pin, rubber	
				1 Seal, gear body	
5	16	646661	60430	Link, lower left, assembly <u>Serviceable components of lower link, left</u>	1
5A	41	647378	60470	Chain	1
5A	39	647421	60588	Link, lower left, sub-assembly	1
5	15	646662	60443	Link, lower right assembly <u>Serviceable components of lower link, right</u>	1
5A	40	647422	60589	Link lower right, sub-assembly	1
5	11	646646	60433	Link, upper, assembly <u>Serviceable components of upper link</u>	1
5A	29	117296	60440	Bolt	3
5A	27	GM-428519		Bolt	1
5A	33	647430	60583	Chain and retainer, assembly	1
5A	32	647376	60444	Clip, chain	1
5A	25	647373	60581	Link, and ball, upper, assembly	2
5A	28	GM-127855		Nut	4
5A	26	647377	60445	Plate, adjusting	2
5	12	646636	60439	Pin	1
5A	43	647374	60437	Pin	1
5A	44	647375	60438	Ring	1
5A	30	636241	GM-120395	Washer	4

Serviceable Components for Hydraulic Power Lift

Fig. No.	Ref. No.	W. O. Part No.	Monroe Part No.	Description	Quan.
<u>Serviceable components of pump and support assembly</u> -continued-					
7	15	117249	60526	Manifold	1
7	1	117251	60529	"O" Ring	2
7	1	117250	60527	Pump	1
7	1	647369	60201	Pump and Manifold, assembly	1
<hr/>					
5	10	646642	60431	Rod	1
5	23	646639	60462	Support, back, main housing	1
2		646647	60206	Tank and valve, assembly	1
<u>Serviceable components of tank and valve assembly</u>					
2	3	117266	60519	Adjuster relief valve	1
2	1	647331	60210	Cap and stick, assembly	1
2	10	647333	60551	Connector, assembly	1
2	11	647332	60554	Connector, assembly	1
2	12	647399	60547	Filter, oil	1
2	13	647398	60520	Gasket, valve	1
2	4	117267	60528	"O" Ring	1
7	10	117278	60496	Ring, seal	1
		GM-222408	17-703	Screw, set, 1/4", hex., socket	3
		117360	17-714	Nut, 1/4"-20, fibre stop nut	3
		117361	17-713	Washer, fibre	3
2	8	GM-428429	17-661	Screw, hex. hd., 5/16"-24 x 2"	5
2	7	GM-112723	17-181	Lockwasher	5
2	6	117263	60518	Seat, relief valve	2
2	5	117264	11913D	Spring, relief valve	1
2	2	647396	60207	Tank, assembly	1
2	14	647346	60524	Union, adapter	1
2	15	647347	60579	Union, adapter	1
2	9	647397	60208	Valve, assembly	1
		117917	60654	Seal, cover and shaft, assembly	1
<hr/>					

Hydraulic Pump and Implement Lift For
Civilian Jeep Models CJ-2A and CJ-3A

Fig. No.	Ref. No.	W.O. Part No.	Monroe Part No.	Description	Quan.
				-continued-	
5	10	646642	60431	1 Rod, power lift, right side, assembly	
5	9	646630	60412	2 Snap Ring	
5	23	646639	60462	1 Support, back, main housing	
		GM-119910	17-196	2 Bolt, hex. hd., 7/16"-20 x 1-1/2"	
		53143	17-331	1 Bolt, hex. hd., 7/16"-20 x 1"	
5	18	52164	17-110	2 Nut, hex., 7/16"-20	
5	17	53044	17-177	3 Lockwasher, 7/16" (Back support to frame)	
		646675	60002	===== Kit, hydraulic system (2 packages) Consists of:	1
1	21	646671	60594	1 Block, spacer, front axle	
1	3	646633	60533	1 Drive, flexible pump	
1	13	646644	60540	1 Hose, pressure, hydraulic, 19-7/8" long	
1	14	646640	60541	1 Hose, suction, hydraulic, 19-1/2" long	
1	2	*638513	60535	1 Nut, crankshaft	
1	1	646698	60534	1 Pulley, drive, fan & governor	
		646648	60211	1 Pump and support bracket, assy.	
1	17	*646653	60538	1 Retainer, hydraulic tube	
2		646647	60206	1 Tank and valve, assembly	
		*6157	17-660	1 Bolt, hex. hd., 5/16"-18 x 1-1/4"	
		*GM-428423		4 Bolt, hex. hd., 5/16"-24 x 1-3/4"	
		*GM-427315	17-116	4 Nut, hex., 1/4"-28	
		*53058	17-308	4 Lockwasher, 1/4" (Tank and valve to floor)	
1	15	#646638	60536	1 Tube, hydraulic pressure line	
1	16	#646643	60537	1 Tube, hydraulic suction line	
		*GM-106696	17-676	1 Screw, truss hd., No. 10-24 x 1/2"	
		*53386	17-677	1 Nut, hex., No. 10-24	
		*52221	17-610	1 Lockwasher, No. 10 (Clip to air cleaner shield)	
				Items marked (*) are included in small parts package.	
				Items marked (#) are included in tube field package.	
				===== =====	

Quick Disconnect Set

Fig. No.	Ref. No.	W.O. Part No.	Monroe Part No.	Description	Quan.
		647486	60213	Quick Disconnect Set	1
		647481	60596	Consists of:	
		647480	60595	1 Plug, disconnect, 1/4" male	
		647482	60597	1 Plug, disconnect, 3/8" female	
		647479	60598	1 Socket, disconnect, 1/4" female	
				1 Socket, disconnect, 3/8" male	
<u>Serviceable Components for Hydraulic Power Lift</u>					
5	24	646645	60502	Angle, mounting	1
		53050	GM-112657	Bolt, hex. hd., 5/16"-24 x 1"	2
5	3	646654	60503	Bolt, hex. hd., 1/2"-13 x 1-3/4"	3
5	19	646655	60492	Bolt, hex. hd., 5/8"-18 x 1-1/2"	2
		53143	GM-119315	Bolt, hex. hd., 7/16"-20 x 1"	2
		GM-119910	17-196	Bolt, hex. hd., 7/16"-20 x 1-1/2"	2
5	22	646657	60563	Chain, limit, assembly	2
<u>Serviceable components of Limit Chain</u>					
5A	36	647395	60465	Bolt, shoulder, assembly	2
5	18	GM-115730	17-110	Nut, hex., 7/16"-20	2
5	17	53044	GM-123153	Lockwasher, 7/16"	2
5A	38	647394	60494	Chain, limit	2
5A	37	647330	60586	Clevis, limit chain, assembly	2
5A	35	647329	60585	Link, limit chain, assembly	2
<u>Serviceable Components of Cylinder and Housing</u>					
5	20	646641	60461	Clevis, mounting, lower	2
5	1	646650	60203	Cylinder and Housing, assembly	1
<u>Serviceable Components of Cylinder and Housing</u>					
3	3	647363	60420	Arm, clevis	2
3	4	647334	60202	Cylinder, assembly	1
3	4	638792	60449	Fitting, lubrication	2
3	8	647361	60415	Hose, hydraulic, 21-3/4" long	1
3	9	647360	60414	Hose, hydraulic, 30-1/8" long	1
3	1	647366	60416	Housing (only)	1
3		647368	60212	Housing, Main, assembly	1
3	10	GM-221383	60421	Pin, taper	2
3	5	647364	60409	Shaft, clevis end	1
3	7	647365	60413	Shaft, cylinder end	1
3	2	647367	60582	Shaft, main, assy. with center arm	1
5	9	646630	60412	Snap Ring	4