

Nov. 1, 1949

J. A. LOVE

Des. 155,818

TRACTOR

Filed Aug. 16, 1947

FIG. 1.

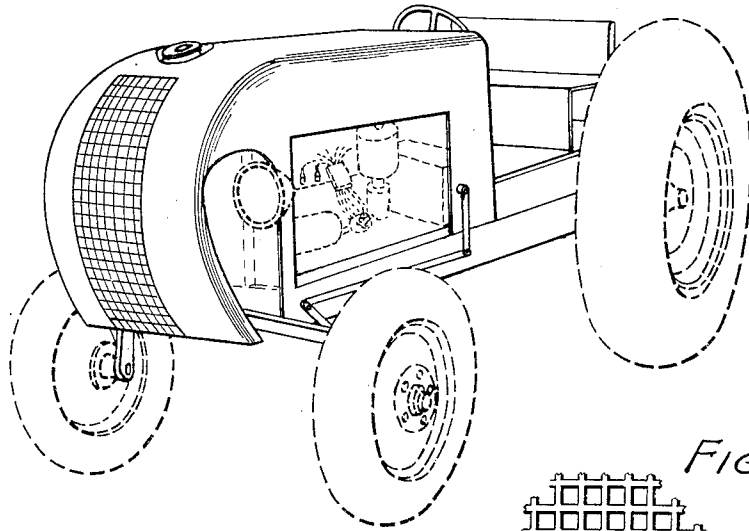


FIG. 4

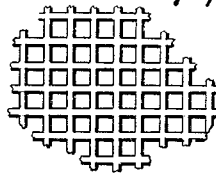


FIG. 2.

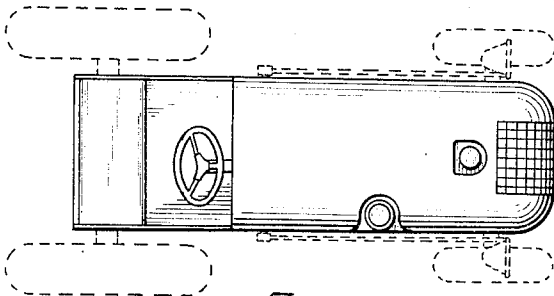
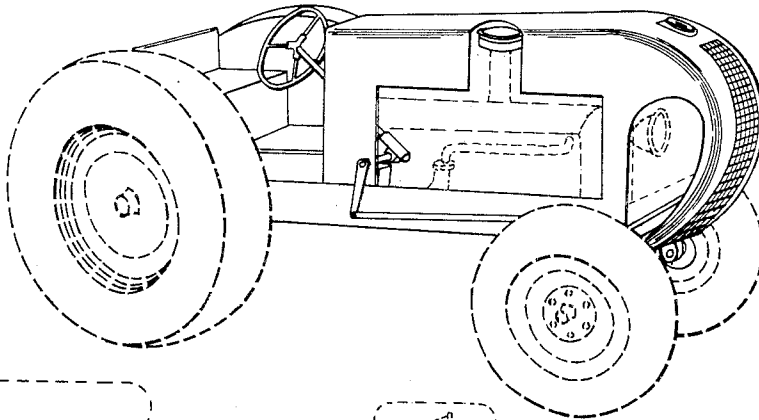


FIG. 3

JABEZ A. LOVE.  
INVENTOR.

BY  
*Altsh & Knoblock*  
ATTORNEYS.

# UNITED STATES PATENT OFFICE

155,818

## DESIGN FOR A TRACTOR

Jabez A. Love, Eau Claire, Mich.

Application August 16, 1947, Serial No. 140,912

Term of patent 14 years

(Cl. D14—3)

*To all whom it may concern:*

Be it known that I, Jabez A. Love, a citizen of the United States residing at Eau Claire, in the county of Berrien, State of Michigan, have invented a new, original, and ornamental Design for a Tractor, of which the following is a specification, reference being had to the accompanying drawing, forming part thereof.

Fig. 1 is a front perspective view of a tractor, showing my new design.

Fig. 2 is a side perspective view of the tractor.

Fig. 3 is a top plan view of the tractor.

The rear part of the tractor is conventional. The characteristic features of the design are shown in full lines in the drawing.

Fig. 4 is a fragmentary enlarged detail view illustrating the openwork radiator grille.

I claim:

The ornamental design for a tractor, as shown and described.

JABEZ A. LOVE.

### REFERENCES CITED

The following references are of record in the file of this patent:

#### UNITED STATES PATENTS

Number	Name	Date
D. 113,555	Erickson -----	Feb. 28, 1939
D. 116,307	Hobbs -----	Aug. 22, 1939
D. 146,947	Roths -----	June 17, 1947